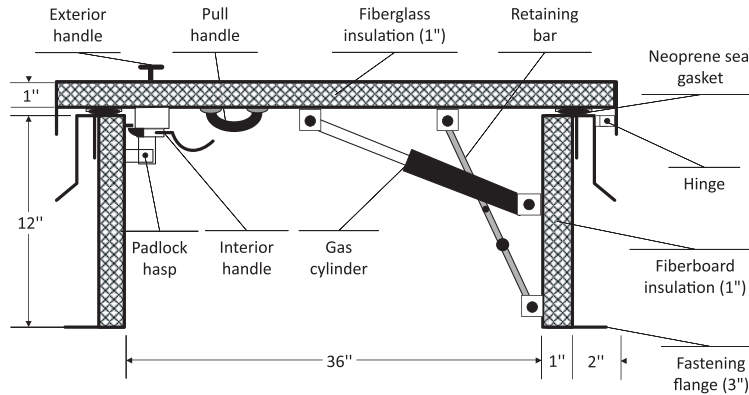
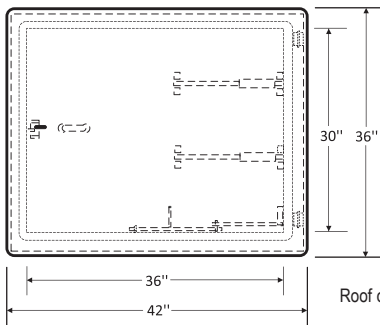


**ROOF HATCH**
**TRH**
**INSTALLATION: ROOF ONLY**

**DIMENSIONS AND APPEARANCE**
**LEED ready:** This product contributes to LEED® credits.

HATCH SIZE - W x H INCHES (MM)	EXTERIOR SIZE - W x H INCHES (MM)	NUMBER OF LOCKS	WEIGHT LBS	KG
36 x 30 (914 x 762)	42 x 36 (1067 x 914)	1	178	81
36 x 36 (914 x 914)	42 x 42 (1067 x 1067)	1	188	85



Roof opening = size of roof hatch


**DESCRIPTION AND MATERIAL SPECIFICATION**

- Cover:** 14 gauge galvalneal steel with 1" fiberglass insulation
- Curb:** 14 gauge galvalneal steel with 1" fiber board insulation
- Seal:** "D" - foam adhesive gasket provides a flush and tight fit
- Finish:** high quality white powder coat primer
- Components:** 2 gas cylinders, retaining bar handles

**LEED®:** When painted white, the TRH could contribute to meeting SS7.2 (Heat Island Effect) requirements for highly reflective roofing materials.

**POPULAR OPTIONS** For complete list of options go to: [www.cendrex.com](http://www.cendrex.com)

**Material:** aluminum

**CENDREX PARTNERS**

**PROJECT DATA**

PROJECT NAME:	QTY	W	H	OPTIONS
ARCHITECT:				
DEALER:				
CONTRACTOR:				
LOCATION:	SPECIAL INSTRUCTIONS:			
DATE:				
TAGGING INSTRUCTIONS:	SUBMITTAL APPROVAL: (signature or stamp)			

**HEAD OFFICE:** 11 303, 26th avenue, Montreal, Quebec, Canada H1E 6N6

**WAREHOUSES:** California, Colorado, Florida, Illinois, Pennsylvania, Texas

**Tel:** 514 493-1489 - 1 800 479-1489

**Fax:** 514 493-1992 - 1 800 297-1489

[www.cendrex.com](http://www.cendrex.com)
[info@cendrex.com](mailto:info@cendrex.com)

 Your odd sizes:  
Made in 5 days